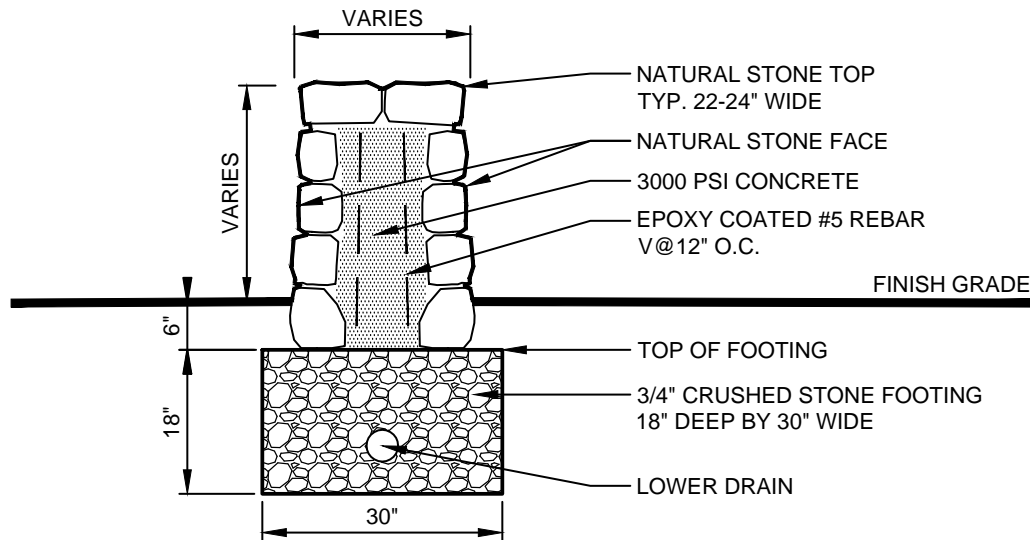
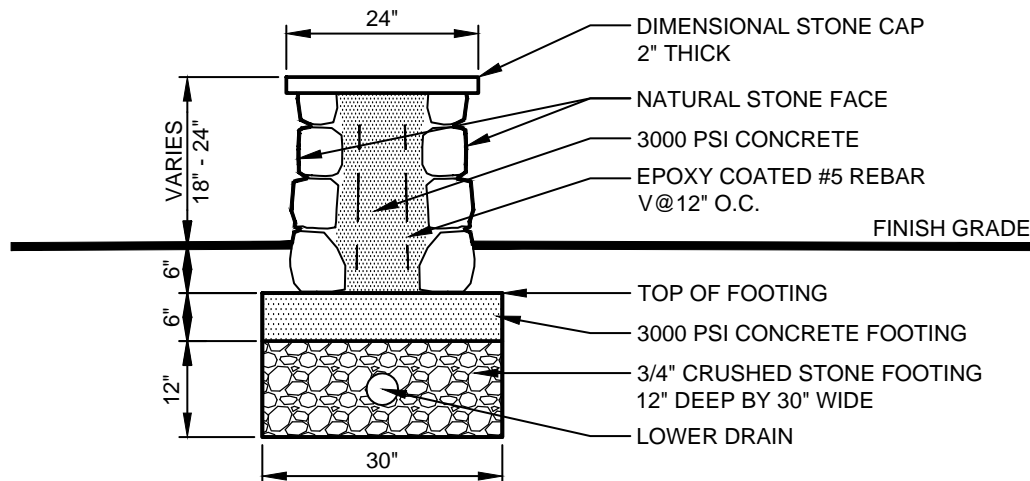


**TYPICAL PROJECT**  
PREFABRICATED  
FREESTANDING WALL  
AND  
CAPPED SITTING WALL



D-1.5  
**1**  
**TYPICAL 2-4 FOOT FREESTANDING WALL**  
SCALE: 1/2" = 1'-0"



D-1.5  
**2**  
**TYPICAL CAPPED SITTING WALL**  
SCALE: 1/2" = 1'-0"

**PROJECT NOTES**

---



---



---



---



---



---

SCALE  
1/2" = 1'-0"

SHEET TITLE  
D-1.5